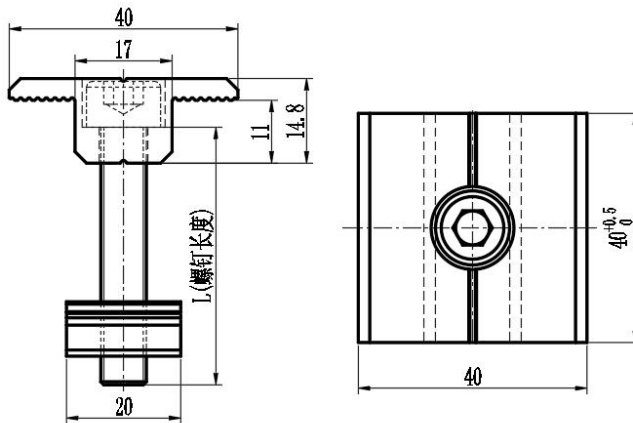


## Product Specification

HOP-PC-ICS00-NS1 Ver: 4.1



No.	Part No.	Feature Size L	Panel Size	Weight
1	PC-ICS25-NS1	35	25	63
2	PC-ICS30-NS1	40	30	64
3	PC-ICS35-NS1	45	35	67
4	PC-ICS38-NS1	50	38	69
5	PC-ICS40-NS1	50	40	69
6	PC-ICS42-NS1	50	42	69
7	PC-ICS45-NS1	55	45	72
8	PC-ICS50-NS1	60	50	73

<b>Name</b>	Select Inner Clamp
<b>Stock Code</b>	PC-ICS00-NS1
<b>Weight(g)</b>	See above table
<b>BOM</b>	HOP-G03-0040 (AL6005-T5) x 1 HOP-G91-0020 (AL6005-T5) x 1 M8*L Hexagon socket head cap screws (SUS304) x 1
<b>Packing</b>	100pcs
<b>Carton size</b>	260×205×180